



**WESEM**



*additional lamps*

220 x 123

**5HP**

*halogen fog lights  
and driving lights*

*generous light*

*watertightness IP55*

*additional parking light*

### Construction and parameters

#### Application

Particularly designed for trucks and off-road vehicles.

#### Detailed information

##### Construction:

- metal reflector
- black plastic housing
- glass lens
- mounting bracket
- wiring with seal, tipped with F2,5 and A2,5 terminals
- parking light bulb holder
- main bulb (optional)

##### Lens colour

Driving lights are manufactured with clear or blue lens.

##### Additional features

The plastic grip is steel-reinforced. Mounting and adjustment system permits easy and accurate 3D aiming. Fog lights additionally illuminate immediate foreground. Equipped with additional parking light.

##### Other versions

5HP lamps with chrome bodies and parts. The chrome version is galvanized with three coats of metal on ABS plastic body (Cu-10 μm, Ni-20 μm, Cr-1 μm).

##### Bulbs

Fit bulb type:  
H3 12V 55W-100W  
or H3 24V 70-100W  
T4W 12V or 24V (BA9s cap)

##### Additional equipment

Some versions come with a full lens cover (cat. number A.25581) or with a stone guard (cat. number A.37800), which emphasize styling, extend working life and protect from accidental damage.

##### Replacement parts

Parking light bulb holder  
- catalogue number A.05921.

##### Parameters

Watertightness IP55.  
The driving light guide number which specifies the light's maximum candle power is 30 (it is about 145 lx within distance of 25 m).

##### Mounting methods

Can be mounted on a vehicle as vertically standing or pendent mounting.

Cat. number	Homolog. code	Light function			Lens colour		Housing		chrome-plated		Accessories				Application		Mounting			Side			Packaging / pc		
		fog light	driving light	parking light	clear	blue	black	chrome-plated	bulb H3 12V	bulb H3 24V	stone guard	wire	universal	dedicated	bracket	bumper cavity	spoiler / front grill	right	left	right / left	blister pack	carton box			
5HP22386	225	•	•		•		•						•									•		1	
5HP36387	225	•	•		•		•						•									•		1	
5HP22587	225	•	•		•		•						•									•		1	
5HP22486	224		•	•	•		•						•									•		1	
5HP36287	224		•	•	•		•						•									•		1	
5HP22687	224		•	•	•		•						•									•		1	
5HP40786	224		•	•	•		•						•									•		1	
5HP40887	224		•	•	•		•						•									•		1	
5HP40987	224		•	•	•		•						•									•		1	

Homologation code means identifier of certification number.

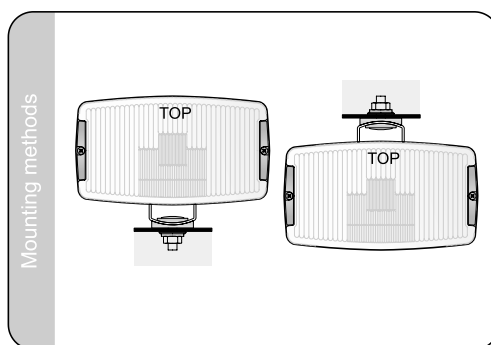


Additional equipment

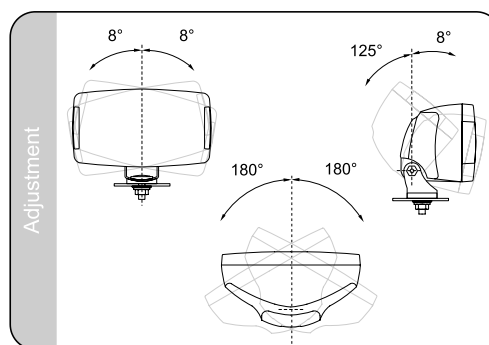
A.25581



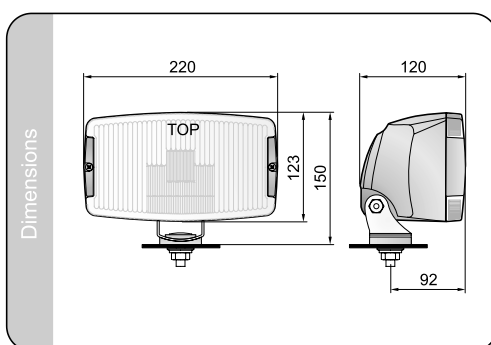
Holder reinforcement



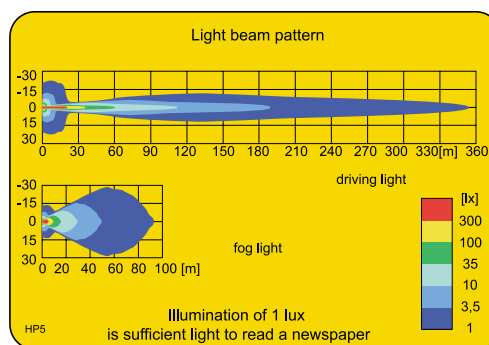
Mounting methods



Adjustment



Dimensions



- headlamps
- additional lamps
- work lamps
- special lamps
- signalling lamps
- bicycle lamps
- accessories