

WESEM



work lamps

LPR1

halogen lights
195 x 96

traditional design

360° twist-adjustable

indispensable at night works

Construction and parameters

Application

Work lamps are used to illuminate working space near vehicles, tractors, slow-moving machines, and any other places where 12V or 24V power is available.



General information

All metal parts are galvanized with a generous zinc coating to ensure corrosion resistance. The metallic coating is treated with silicone varnish and silicon for protection. Some versions come with bulbs.

Detailed information

Construction:

- metal reflector
- black plastic housing equipped with a handle
- plastic frame
- stone guard made of plastic
- glass or polycarbonate lens
- twist-and-tilt joint
- rocker switch

Additional features

The mount permits aiming in any direction with no need to remove lamp.

Other versions

LPR work lamps equipped with polycarbonate lens.

Bulbs

Fit bulb type:
H3 12V 55W
H3 24V 70W - for lamp equipped with glass lens

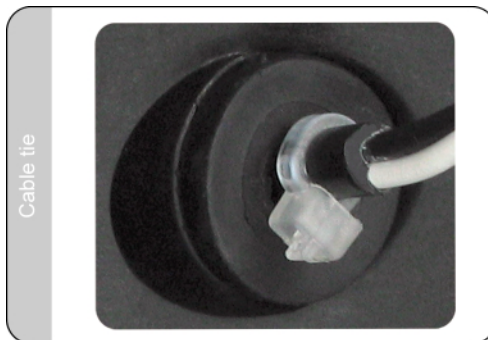
Recommendation

Do not use over 55W bulbs if the lamp is equipped with polycarbonate lens.

Mounting methods

Can be attached in any position.

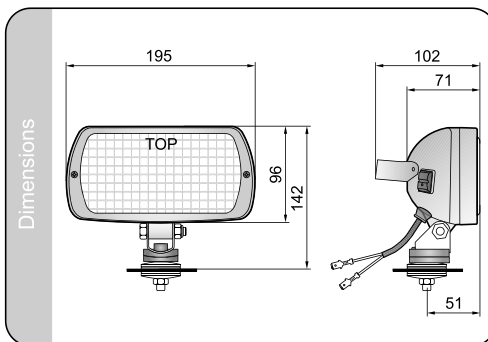
Cat. number	Type			Lens		Accessories										Application		Mounting		Packaging / pc		
	H3	F2	P21W	glass	polycarbonate	bulb H3 12V	bulb H3 24V	handle	switch	stone guard	wire	shock absorber	omega type bracket	connector	AMP connector	DEUTSCH connector	universal	dedicated	bracket	spoiler / front grill	blister pack	carton box
LPR.31723	•			•						•							•		•			1
LPR.28723	•			•		•				•	•						•		•			1
LPR.06123	•			•				•	•	•							•		•			1



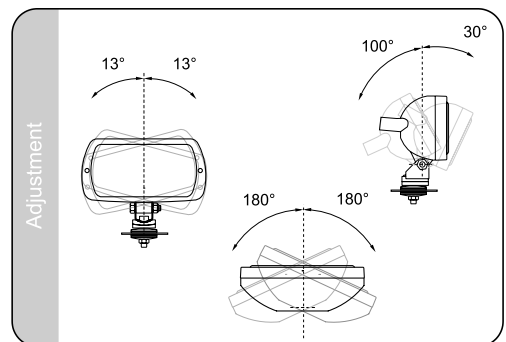
Cable tie



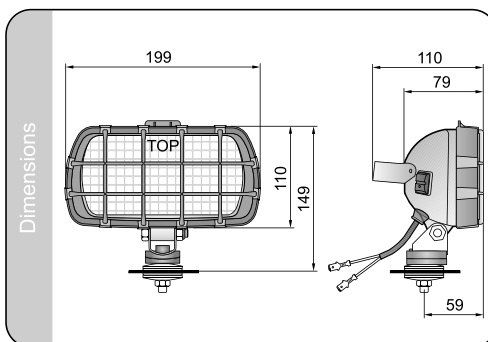
Hermetic switch



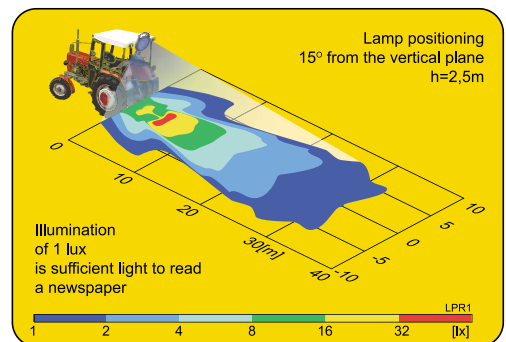
Dimensions



Adjustment



Dimensions



- headlamps
- additional lamps
- work lamps
- special lamps
- signalling lamps
- bicycle lamps
- accessories