

**WESEM**



*work lamps*

*100 x 100*

*LED6*

*with LED  
supply voltage: 12V-24V DC*

*power of 29W*

*IP68, IP69K rated*

*luminous flux 2500 lm*

# LED work lamps, 100 x 100

## LED6 12-24V DC, 2500 lm, beam angle 66°x22°

### Construction and parameters

#### Application

Work lamps are used to illuminate working space near vehicles, tractors, slow-moving machines, and any other places where 12V or 24V DC power is available.



#### General information

The lamps comply with EMC Directive 2004/108/EC and do not emit electromagnetic interference as well as they are resistant to it's influence.

#### Detailed information

The lifting capacity of single magnet holder is 250N (one magnet). Light distribution angle equals 66°x22°.

#### Construction

- module - 6 LEDs, made by Osram
- aluminum radiator
- black plastic frame (optionally equipped with a handle)
- fixing parts and screws made of Inox steel
- plastic lens
- Deutsch DT 2-pin cap connector (option)
- AMP Faston 250 2-pin cap connector (option)
- cable 0,5 m (option)
- cable 8 m (option)
- switch (option)
- cigarette lighter plug (option)
- magnetic bracket (option)

#### Useful parts while installing

Deutsch plug DT06-2S 2-pin - catalogue No. A.07135

#### Recommendation

Correct polarity required.

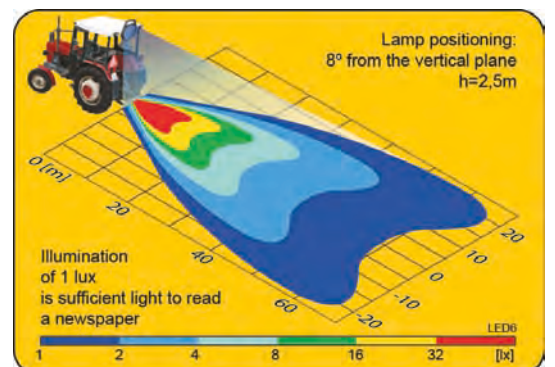
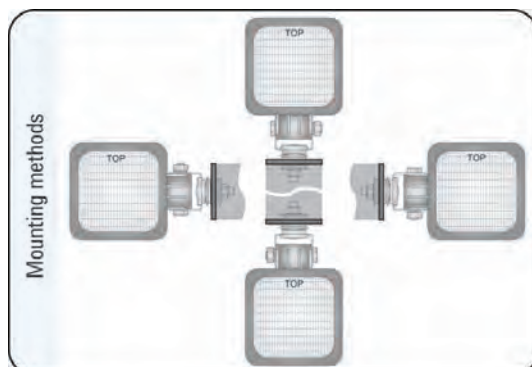
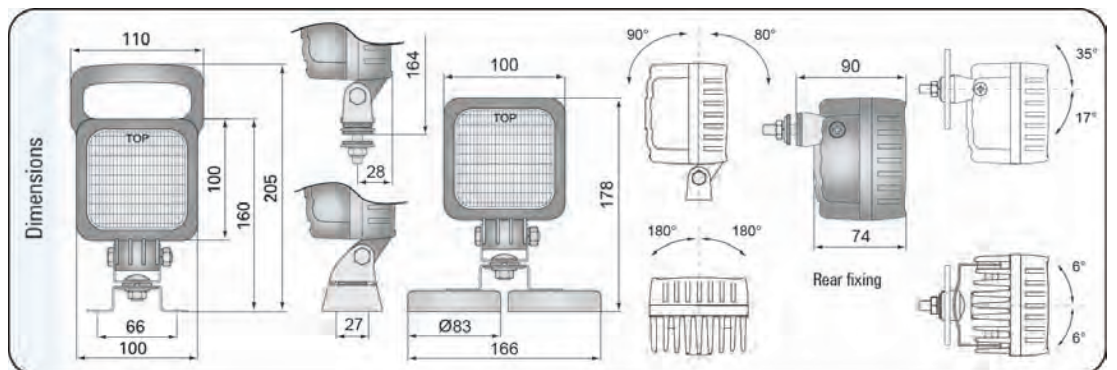
#### Parameters

Rated power 29W.  
Luminous flux 2500 lm.  
Permissible power supply voltage of 12V-24V LED module is 10-34V DC.  
Colour temperature: 5700-7000 K.  
IP68, IP69K rated.

#### Mounting methods

They can be installed in any position.

Cat. number	Mounting		Accessories		LED module 12V-24V				connector			Cat. number	Mounting		Accessories		LED module 12V-24V				connector				
	magnetic holder	rear	LED module 12V-24V	handle	omega bracket	cable 0,5 m	cable 8 m	switch	cigarette lighter plug	AMP Faston 250	Deutsch DT		Cap / Pin	magnetic holder	rear	LED module 12V-24V	handle	omega bracket	cable 0,5 m	cable 8 m	switch	cigarette lighter plug	AMP Faston 250	Deutsch DT	Cap / Pin
LED6.49800			*												*	*	*					*			
LED6.49806			*							*						*	*	*					*		2
LED6.49807			*							*						*	*	*					*		2
LED6.49810			*	*		*										*	*	*			*				
LED6.49816			*	*		*				*						*	*	*			*				2
LED6.49817			*	*		*				*						*	*	*			*				2
LED6.49820			*		*	*										*	*	*	*	*	*				
LED6.49826			*		*	*				*						*	*	*	*	*	*				2
LED6.49827			*		*	*				*						*	*	*	*	*	*				2
LED6.49830			*	*	*	*				*						*	*	*	*	*	*				
LED6.49836			*			*				*						*	*	*	*	*	*		*		2
LED6.49837			*			*				*						*	*	*	*	*	*		*		2
LED6.49880			*			*				*						*	*	*	*	*	*		*		
LED6.49881			*			*				*						*	*	*	*	*	*		*		
LED6.49882			*			*				*						*	*	*	*	*	*		*		
LED6.49883			*			*				*						*	*	*	*	*	*		*		
LED6.49892	*		*		*	*				*						*	*	*	*	*	*		*		
LED6.49893	*		*		*	*				*						*	*	*	*	*	*		*		
LED6.49894	*		*		*	*				*						*	*	*	*	*	*		*		
LED6.49825	*	*	*	*	*	*				*						*	*	*	*	*	*		*		



**WESEM**



*work lamps*

*100 x 100*

**LED2**

*with LED  
supply voltage: 12V-24V DC*

*power of 25W*

*IP68, IP69K rated*

*luminous flux 2000 lm*

### Construction and parameters

#### Application

Work lamps are used to illuminate working space near vehicles, tractors, slow-moving machines, and any other places where 12V or 24V DC power is available.



#### General information

The lamps comply with EMC Directive 2004/108/EC and do not emit electromagnetic interference as well as they are resistant to it's influence.

#### Detailed information

The lifting capacity of single magnet holder is 250N (one magnet). Light distribution angle equals 66°x22°.

#### Construction

- module - 6 LEDs, made by Osram
- aluminum radiator
- black plastic frame (optionally equipped with a handle)
- fixing parts and screws made of Inox steel
- plastic lens
- cable 0,5 m (option)
- cable 8 m (option)
- switch (option)
- cigarette lighter plug (option)
- magnetic bracket (option)

#### Useful parts while installing

Deutsch plug DT06-2S 2-pin  
- catalogue No. A.07135

#### Recommendation

Correct polarity required.

#### Parameters

Rated power 25W.  
Luminous flux 2000 lm.  
Permissible power supply voltage of 12V-24V LED module is 10-34V DC.  
Colour temperature: 5700-7000 K.  
IP68, IP69K rated.

#### Mounting methods

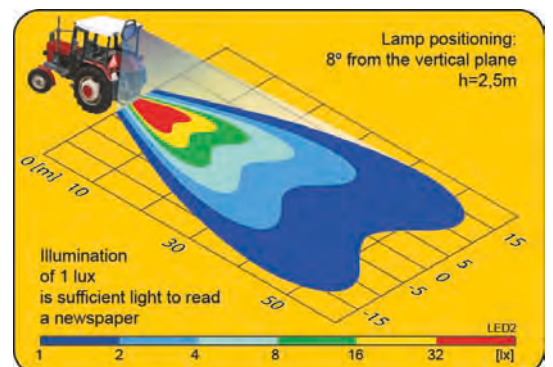
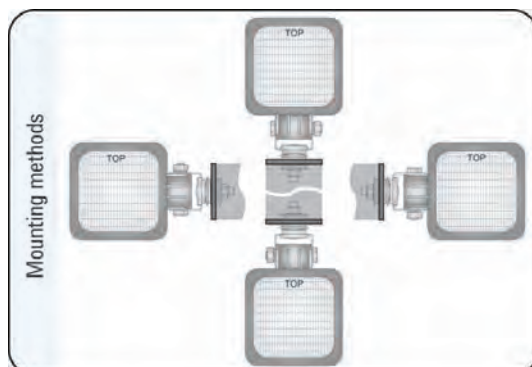
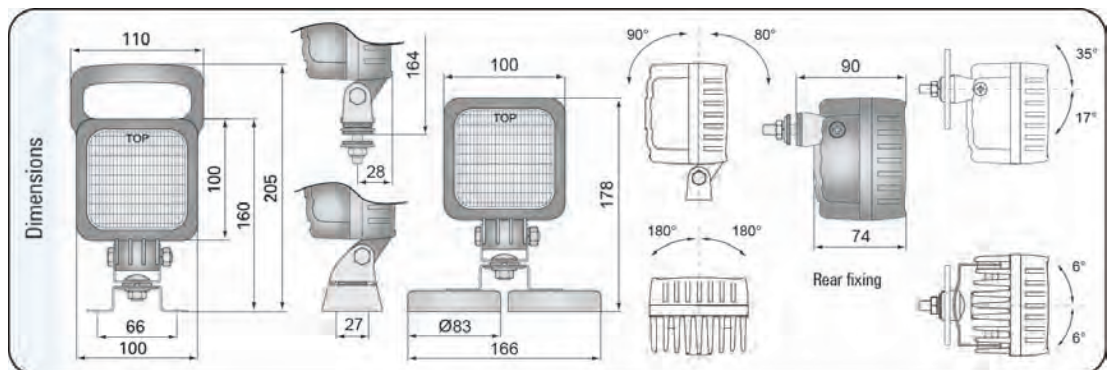
They can be installed in any position.

#### Replacements

Equivalents Hella:  
A - 1GA 996 189-001  
B - 1GA 996 189-011

Cat. number	Mounting		Accessories											Replacements	
	magnetic holder	rear	LED module 12V-24V	handle	omega bracket	cable 0,5 m	cable 2,7 m	cable 8 m	AMP Faston connector	AMP Seal connector	Deutsch DT connector	switch	cigarette lighter plug	Hella	
LED2.47500			*			*								A	
LED2.47501			*				*								
LED2.47502			*				*		*						
LED2.47506			*						*						
LED2.47507			*							*				B	
LED2.47510			*	*		*									
LED2.47516			*	*					*						
LED2.47517			*	*						*					
LED2.47520			*	*	*	*							*		
LED2.47526			*	*	*	*			*				*		
LED2.47527			*	*	*	*				*			*		

Cat. number	Mounting		Accessories											Replacements	
	magnetic holder	rear	LED module 12V-24V	handle	omega bracket	cable 0,5 m	cable 2,7 m	cable 8 m	AMP Faston connector	AMP Seal connector	Deutsch DT connector	switch	cigarette lighter plug	Hella	
LED2.47530			*	*	*	*									
LED2.47536			*	*	*	*			*						
LED2.47537			*	*	*	*				*					
LED2.47580			*		*	*						*			
LED2.47581			*	*	*	*						*			
LED2.47582			*	*	*	*						*			
LED2.47583			*	*	*	*						*			
LED2.47592	*		*	*	*	*		*				*	*		
LED2.47593	*	*	*	*	*	*		*				*	*		
LED2.47594	*	*	*	*	*	*		*				*	*		
LED2.47525	*	*	*	*	*	*	*	*	*	*	*	*	*	*	



**WESEM**



*work lamps*

*100 x 100*

*LED1*

*with LED  
supply voltage: 12-24V DC or 48V DC*

*power of 24W*

*IP68, IP69K rated*

*luminous flux 1500 lm*

# LED work lamps, 100 x 100

## LED1 12-24V DC or 48V DC, 1500 lm, beam angle 66°x22°

### Construction and parameters

#### Application

Work lamps are used to illuminate working space near vehicles, tractors, slow-moving machines, and any other places where 12V, 24V or 48V DC power is available.



#### General information

The lamps comply with EMC Directive 2004/108/EC and do not emit electromagnetic interference as well as they are resistant to it's influence.

#### Detailed information

The lifting capacity of single magnet holder is 250N (one magnet). Light distribution angle equals 66°x22°.

#### Construction

- module - 6 LEDs, made by Cree
- aluminum radiator
- black plastic frame (optionally equipped with a handle)
- fixing parts and screws made of Inox steel
- plastic lens
- Deutsch DT 2-pin cap connector (option)
- AMP Faston 250 2-pin cap connector (option)
- cable 0,5 m (option)
- cable 8 m (option)
- switch (option)
- cigarette lighter plug (option)
- magnetic bracket (option)

#### Useful parts while installing

Deutsch plug DT06-2S 2-pin - catalogue No. A.07135

#### Recommendation

Correct polarity required.

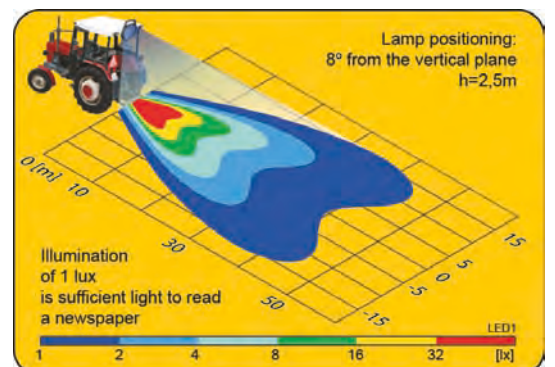
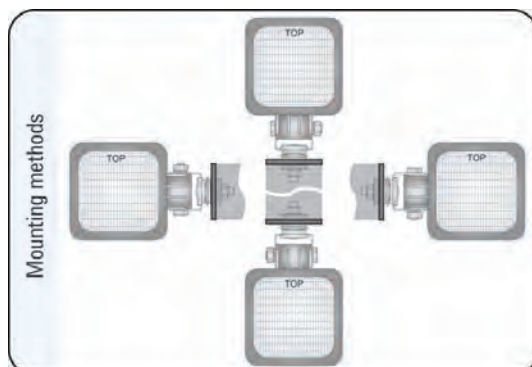
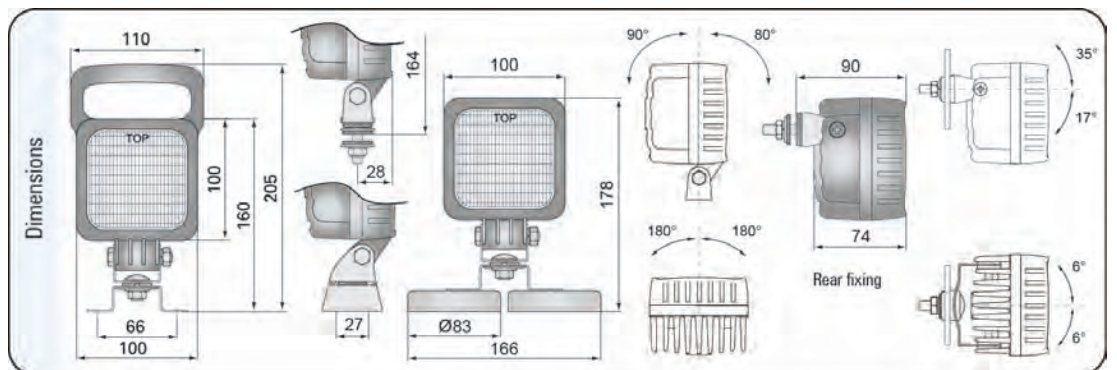
#### Parameters

Rated power: 24W.  
Luminous flux: 1500 lm (1,5 times greater than flux of H3 12V/55W bulb).  
Permissible power supply voltage of 12V-24V LED module is 10-30V DC.  
Permissible power supply voltage of 48V LED module is 40-60V DC.  
Colour temperature: 5000-7000 K.  
IP68, IP69K rated.

#### Mounting methods

They can be installed in any position.

Cat. number	Mounting		Accessories		LED module 12V-24V	LED module 48V	handle	omega bracket	cable 0,5 m	cable 8 m	switch	cigarette lighter plug	connector	AMP Faston 250	AMP Superseal 1,5	Deutsch DT	Cap / Pin	
	magnetic holder	rear	magnetic holder	rear														
LED1.46800					*				*									
LED1.46803					*				*						*		2	
LED1.46806					*									*		2		
LED1.46807					*									*		2		
LED1.46810					*	*			*									
LED1.46816					*	*			*					*		2		
LED1.46817					*	*			*						*	2		
LED1.46820					*		*	*	*					*		2		
LED1.46826					*		*	*	*					*		2		
LED1.46827					*		*	*	*					*		2		
LED1.46830					*		*	*	*					*		2		
LED1.46836					*	*	*	*	*					*		2		
LED1.46837					*	*	*	*	*					*		2		
LED1.46840					*		*	*	*					*		2		
LED1.46846					*		*	*	*					*		2		
LED1.46847					*		*	*	*					*		2		
LED1.46850					*	*	*	*	*					*		2		
LED1.46856					*	*	*	*	*					*		2		
LED1.46857					*	*	*	*	*					*		2		



**WESEM**



*work lamps*

*100 x 100*

**LED3**

*with LED  
supply voltage: 12-24V DC or 48V DC*

*power of 11W*

*IP68, IP69K rated*

*luminous flux 800 lm*

### Construction and parameters

#### Application

Work lamps are used to illuminate working space near vehicles, tractors, slow-moving machines, and any other places where 12V, 24V or 48V DC power is available.



#### General information

The lamps comply with EMC Directive 2004/108/EC and do not emit electromagnetic interference as well as they are resistant to it's influence.

#### Detailed information

The lifting capacity of single magnet holder is 250N (one magnet). Light distribution angle equals 40°x22°.

#### Construction

- module - 3 LEDs, made by Cree
- aluminum radiator
- black plastic frame (optionally equipped with a handle)
- fixing parts and screws made of Inox steel
- plastic lens
- Deutsch DT 2-pin cap connector (option)
- AMP Faston 250 2-pin cap connector (option)
- cable 0,5 m (option)
- cable 8 m (option)
- switch (option)
- cigarette lighter plug (option)
- magnetic bracket (option)

#### Useful parts while installing

Deutsch plug DT06-2S 2-pin - catalogue No. A.07135

#### Recommendation

Correct polarity required.

#### Parameters

Rated power: 11W.  
Luminous flux: 800 lm (comparable to the intensity of H3 12V/55W bulb).  
Permissible power supply voltage of 12V-24V LED module is 10-30V DC.  
Permissible power supply voltage of 48V LED module is 40-60V DC.  
Colour temperature: 5000-7000 K.  
IP68, IP69K rated.

#### Mounting methods

They can be installed in any position.

Cat. number	Mounting		Accessories													
	magnetic holder	rear	LED module 12V-24V	LED module 48V	handle	omega bracket	cable 0,5 m	cable 8 m	switch	cigarette lighter plug	connector	AMP Faston 250	AMP Superseal 1,5	Deutsch DT	Cap / Pin	
LED3.47700			*													
LED3.47706			*													2
LED3.47707			*											*		2
LED3.47710			*	*		*										
LED3.47716			*	*							*					2
LED3.47717			*	*								*				2
LED3.47720			*		*	*						*				
LED3.47726			*		*	*						*				2
LED3.47727			*		*	*							*			2
LED3.47730			*	*	*	*								*		

Cat. number	Mounting		Accessories													
	magnetic holder	rear	LED module 12V-24V	LED module 48V	handle	omega bracket	cable 0,5 m	cable 8 m	switch	cigarette lighter plug	connector	AMP Faston 250	AMP Superseal 1,5	Deutsch DT	Cap / Pin	
LED3.47736			*	*	*	*						*				2
LED3.47737			*	*	*	*								*		2
LED3.47780			*	*	*	*			*							
LED3.47781			*	*	*	*			*							
LED3.47782			*	*	*	*			*							
LED3.47783			*	*	*	*			*							
LED3.47792	*		*	*	*	*		*	*	*						
LED3.47793	*		*	*	*	*		*	*	*						
LED3.47704		*	*	*	*	*		*	*	*						
LED3.47705		*	*	*	*	*		*	*	*			*			2

